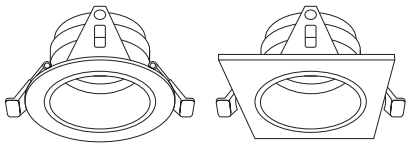
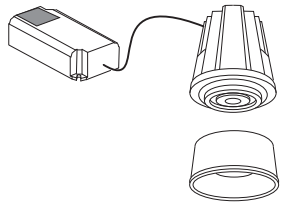
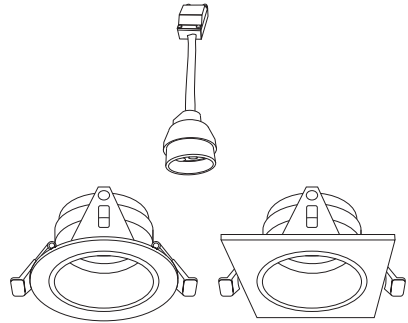


Versatile
 Pinhole GU10/LED engine



Cautions:

1. Switch-off the power supply before any installation and maintenace operations.
2. Installation should be carried out by a suitably qualified person in accordance with good electrical practice and the appropriate national wiring regulations.
3. Connect this lighting according to voltage and frequencies mention on driver.

GRUPO LUXIONA

Paseo de la Ribera, 115,
 08420 Canovelles, Barcelona, Spain.

11.1936.2...

