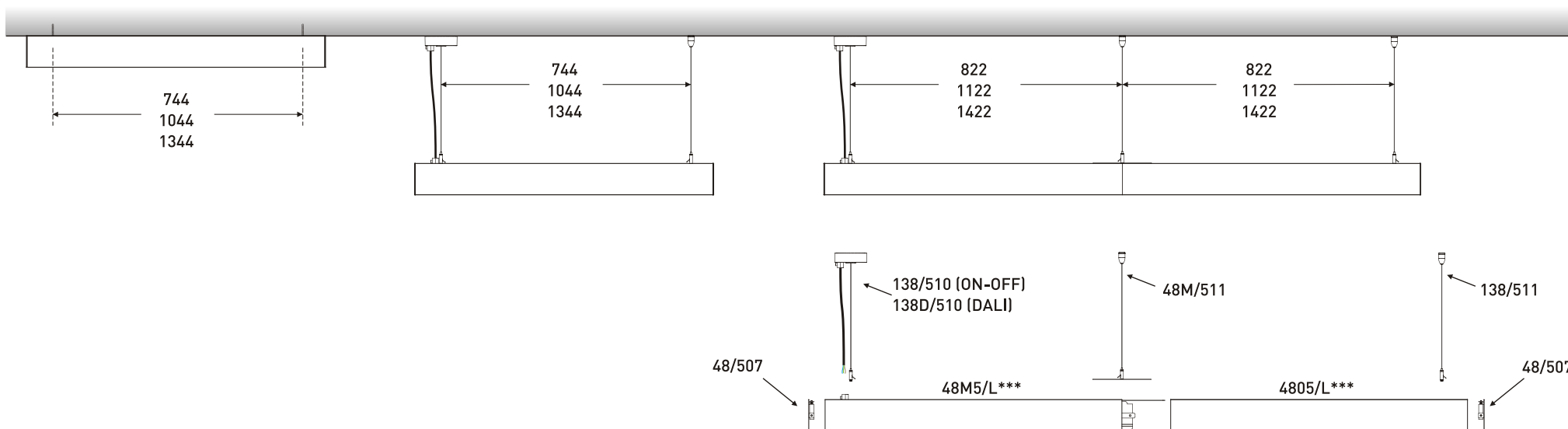


ONLINE SYMMETRICAL 4805/L**** & 48M5/L****

THIS PRODUCT MUST BE INSTALLED IN ACCORDANCE WITH THE APPLICABLE INSTALLATION CODE BY A PERSON FAMILIAR WITH THE CONSTRUCTION AND OPERATION OF THE PRODUCT AND THE HAZARDS INVOLVED



SUSPENSION SYSTEMS



① Continuous suspended line

